

HighLINER

LED Linear Lighting System

Installation Manual

SLO-HL-OLL

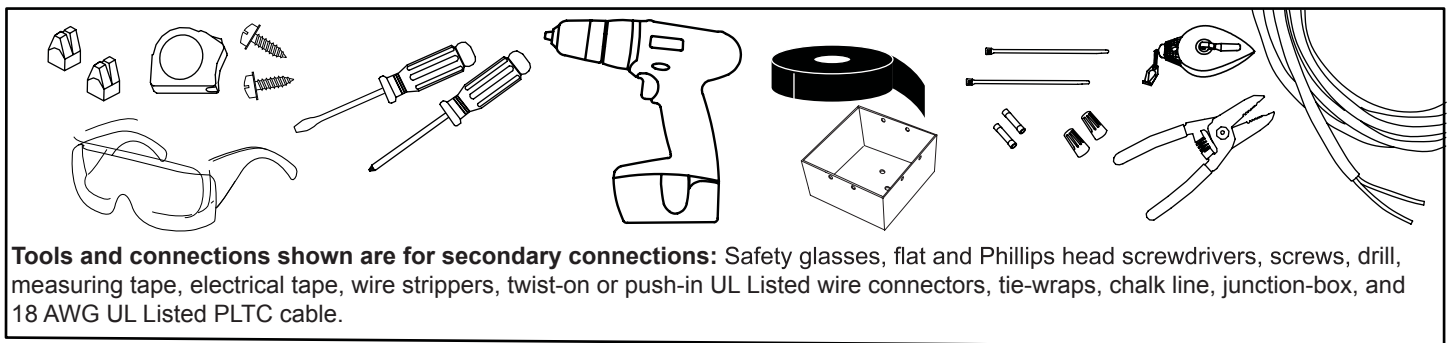
General Information:

HighLINER is intended for linear lighting in storerooms, walk-in coolers, soffits and a variety of other lighting applications.
HighLINER luminaires should only be used with a SloanLED 100 Watt 24 V power supply.

FOR YOUR SAFETY

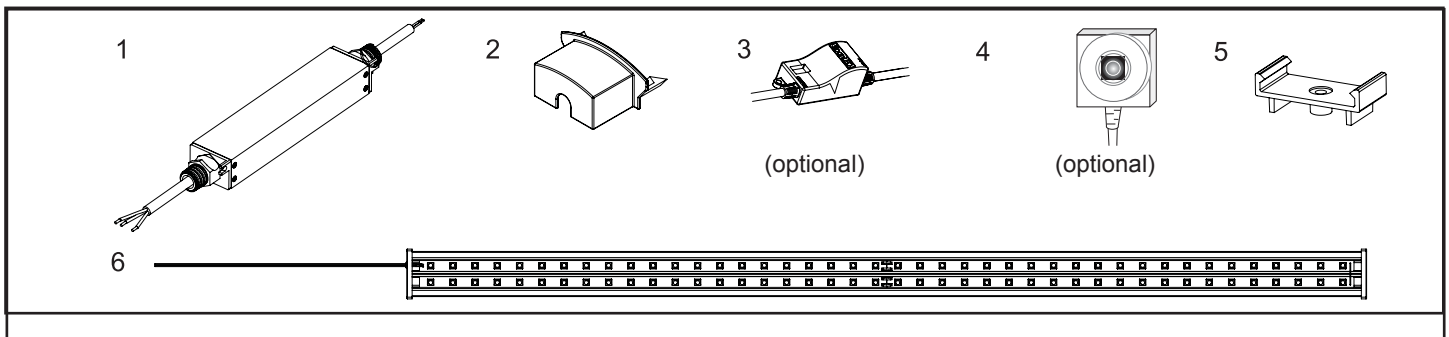
- Read and observe all NOTES, CAUTIONS and WARNINGS shown throughout these instructions.
- Installation of power supplies to be performed by licensed electrician only.
- Safety glasses or goggles should be worn while performing installation.
- This product is ETL listed for dry, damp and wet locations.
- **Electrical Specifications: maximum 0.600 A, 24 VDC, Class 2 circuit.**
- Install to NEC, local and state regulations.

Tools and Accessories Recommended



Items Provided

1. Power Supply 2. RDL-Linear Wire Nut Housing 3. RDL-Dimmer 4. RDL-Sensor 5. Mounting Clip 6. RDL-Linear Light



Number of luminaires required per 100 square-feet (9,29 square-meters) for open, continuously lit areas.

Ceiling Height	Minimum Illumination Intensities* (lux)†			
	300 lx	400 lx	500 lx	600 lx
8 ft (2,4 m)	2	3	3	4
10 ft (3,0 m)	2	3	3	4
12 ft (3,7 m)	2	3	4	4

* Intensity measured at standard tabletop height (30 in (760 mm) from ground)

†100 lux = 9.29 foot-candela

For complete workplace lighting requirements, see OSHA requirements - Code of Federal Regulations Title 29, Section 1926.56:



SIGN • LIGHTING • GRAPHICS • DISPLAY

Excellence in Distribution Since 1946

www.IECDelivers.com



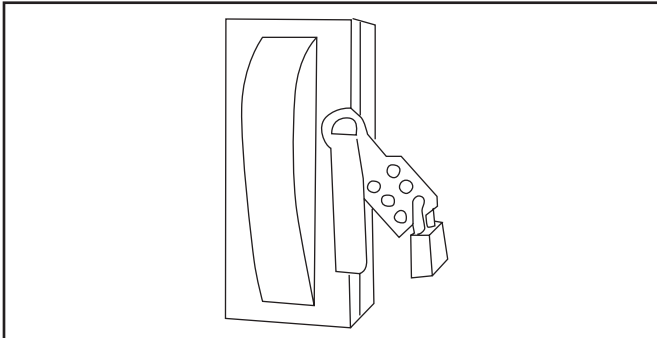
HighLINER

LED Linear Lighting System

Installation Manual

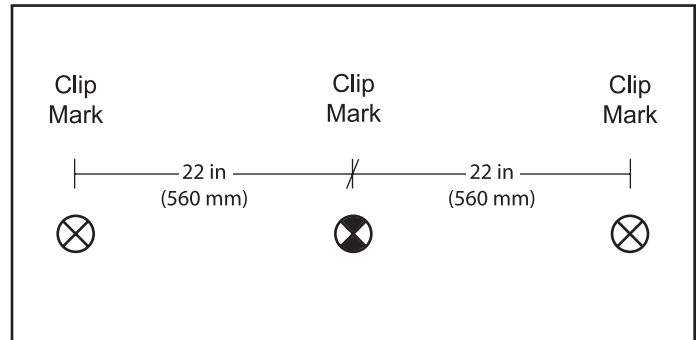
SLO-HL-OLL

Preparation for Install



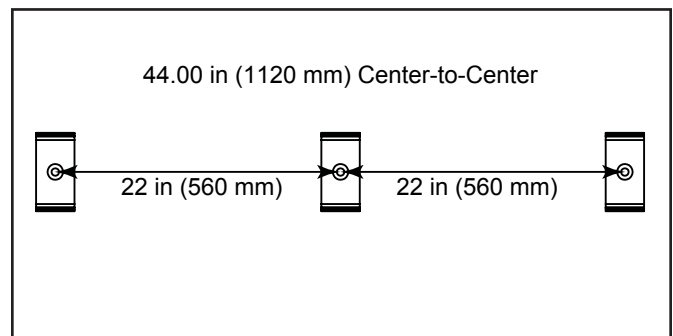
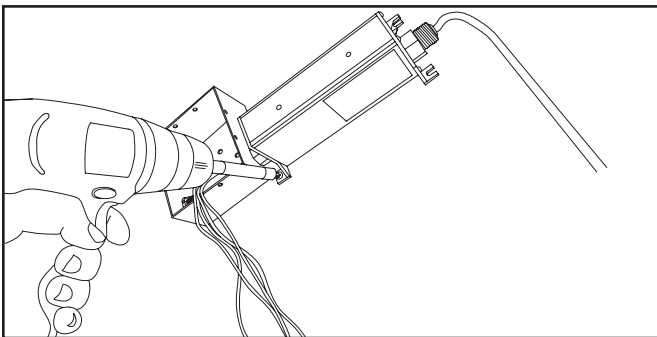
WARNING: Risk of electrical shock. Locate main circuit breaker panel, de-energize, and perform lockout/tagout prior to installing light fixtures. All primary wiring must be done by a licensed electrician.

CAUTION: Power supplies should not be mounted near any other heat generating element. Mount power supply with two self drilling/self tapping screws through tabs in both end caps.



Mark clip locations: Snap a chalk line on surface. Measure 22 in (560 mm) off center to left and to right determine clip location.

Install



1. **Install junction box and power supply:** Follow power supply instructions for installing the secondary side. Use UL listed twist-on, push-in, wire nut or equivalent connectors for connections. Follow connector manufacturer's instructions.

CAUTION: All primary connections including grounding must comply with NEC, local and state regulations. Have a licensed electrician connect primary wires.

2. **Attach mounting clips as shown in diagram:** Three mounting clips per luminaire. Use screw of appropriate length and thread type for mounting surface, #8 or #10 (4 mm or 5 mm), pan or hex head screws. Stainless steel screws are recommended.



SIGN • LIGHTING • GRAPHICS • DISPLAY

Excellence in Distribution Since 1946

www.IECDelivers.com

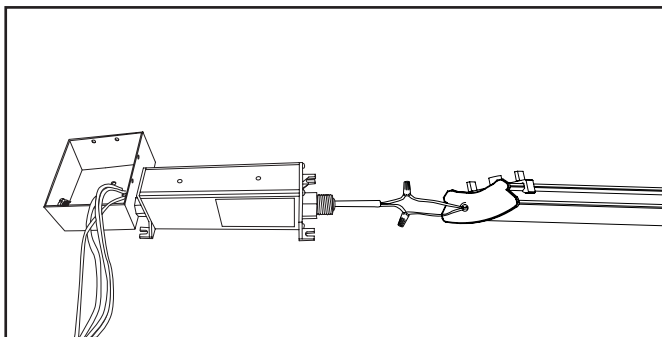


HighLINER

LED Linear Lighting System

Installation Manual

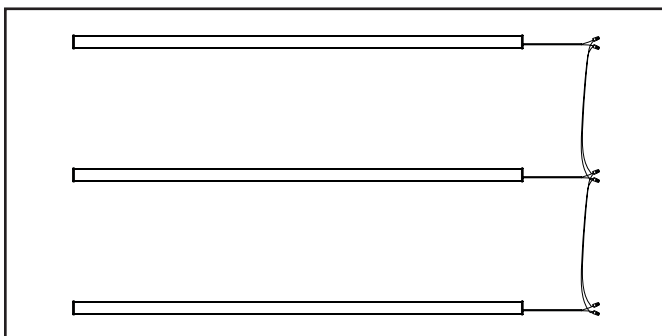
SLO-HL-OLL



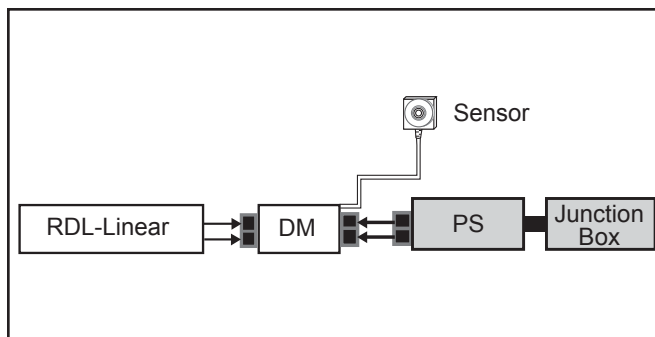
- Install luminaire:** Orient luminaire so that the lead wires face towards power supply and junction box. Snap luminaire into mounting clips. Attach wires to power supply using twist-on wire connectors or equivalent.

NOTE: If multiple luminaires are being attached to the same power supply refer to step 5 for daisy chain instructions.

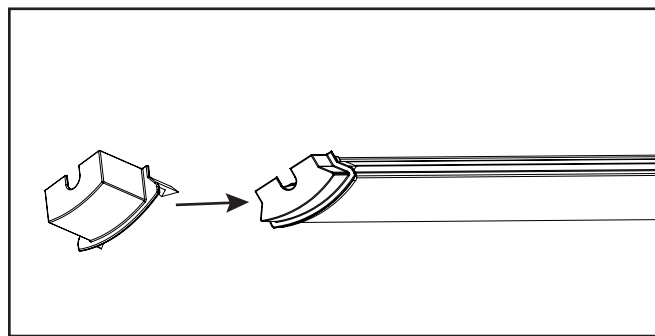
WARNING Check polarity: All connections must be RED-TO-RED (+) and BLACK-TO-BLACK (-). Reverse polarity connections may damage the LEDs and will void product warranty.



- Daisy chain as required:** Up to six luminaires can be attached to a single power supply. Multiple luminaires can be connected at the same locations using 18 AWG UL Listed PLTC cable and twist-on or equivalent wire connector. Length will be determined by luminaire placement.



- Install RDL-Dimmer and RDL-Sensor (optional):** Connect RDL-Dimmer to the secondary side of the power supply. Ensure the motion sensor is aimed at the primary task area. Cat 5 cable may be concealed as required.



- Wire nut housing:** Conceal twist-on wire connectors using provided wire nut housing. When properly installed, the wire nut housing sits flush with the profile of the luminaire.



SIGN • LIGHTING • GRAPHICS • DISPLAY

Excellence in Distribution Since 1946

www.IECDelivers.com

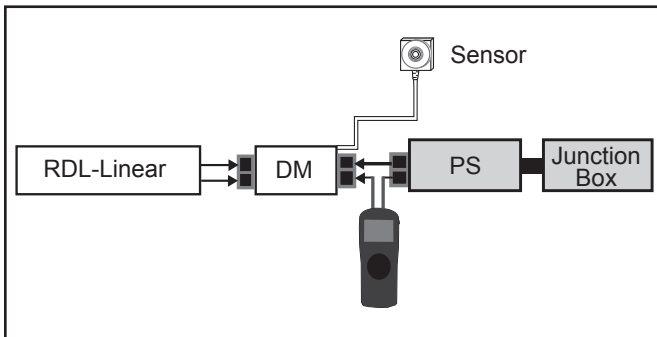


HighLINER

LED Linear Lighting System

Installation Manual

SLO-HL-OLL



- Turn on the system:** Re-energize the power circuit after the installation is complete. Check secondary current of each power supply to ensure it is not overloaded per rating on label.

100 Watt 24 VDC power supply capacity table for RDL-Linear

Part number	Input		Output		
	Nominal input voltage	Input current	Power output	Output voltage	Maximum number luminaires
701895-24C	100 - 240 VAC, 50 - 60 Hz	1.4 A at 110/220 VAC 2.0 A Max	100 W	24 VDC	6

Dimming controller settings

Switches 1 and 2 adjust brightness level

Switches 3 and 4 adjust dim mode brightness

Switch 1	Switch 2	Brightness level	Switch 3	Switch 4	Percent of full brightness
Off	Off	NA	Off	Off	0.0%
On	Off	Energy Saver	On	Off	12.5%
Off	On	Standard	Off	On	25.0%
On	On	MerchandiserMax	On	On	50.0%

Troubleshooting

Luminaire won't light.	Most likely a connector or connection problem. Check connections and voltage at the connector. It could be a loose connection, wire or connector.
More than one luminaire does not light.	Most likely a connection problem. Check connections where the product stops lighting. Another cause could be that the power supply is overloaded and the secondary output circuit protection is engaged. Check how many feet/meters of product are on each leg of the power supply. Check output current of power supply
Still does not light	Replace power supply.
Luminaire is dim	Check to ensure total number of lights does not exceed power supply capacity.



SIGN • LIGHTING • GRAPHICS • DISPLAY

Excellence in Distribution Since 1946

www.IECDelivers.com

